

Enc: The 74x148 Priority Encoder

Here is the internal schematic for the 74x148 8-input priority encoder.

74x148

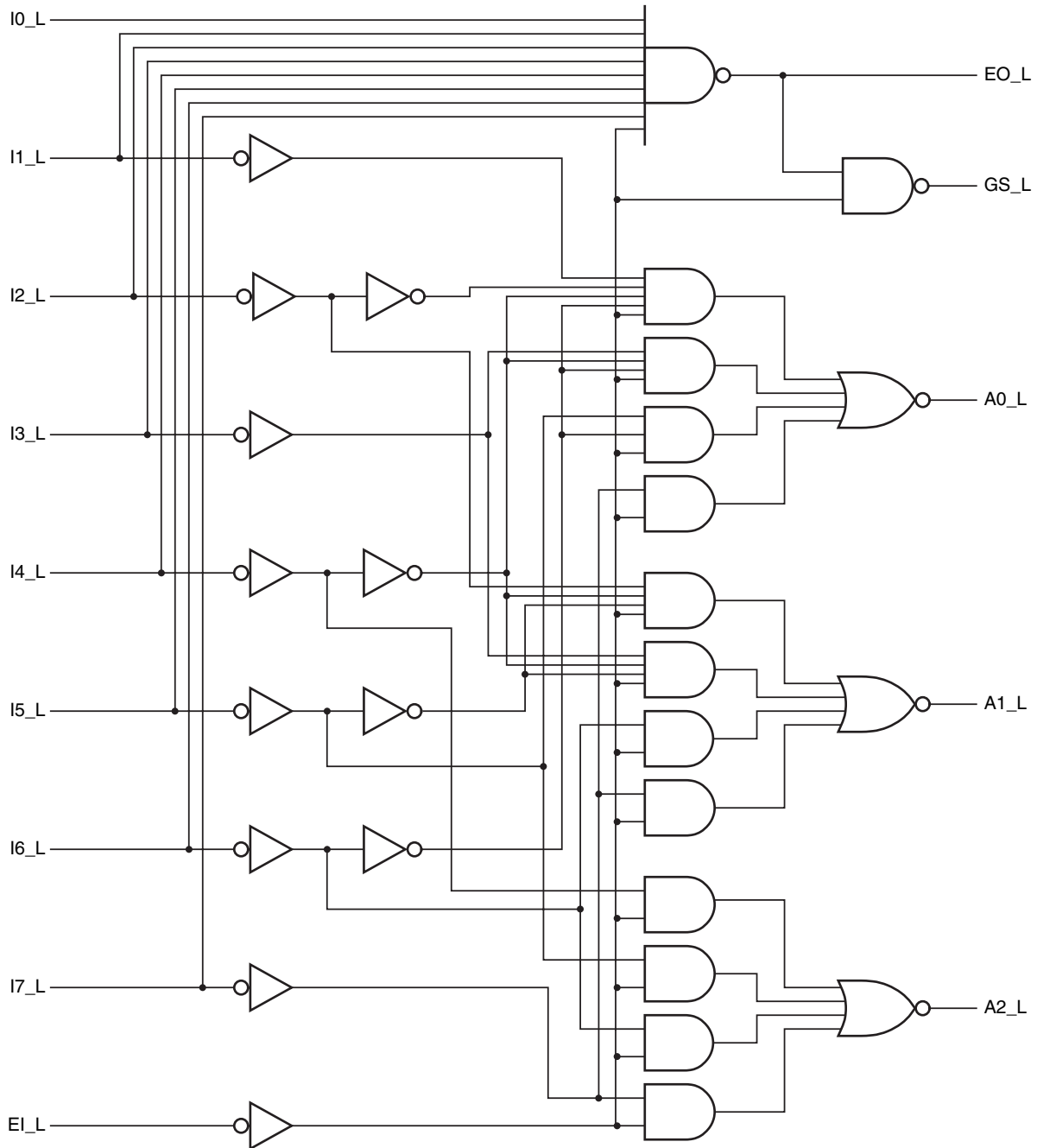


Figure Enc-1 Logic diagram for the 74x148 8-input priority encoder.

Supplementary material to accompany *Digital Design Principles and Practices*, Fourth Edition, by John F. Wakerly.
 ISBN 0-13-186389-4. © 2006 Pearson Education, Inc., Upper Saddle River, NJ. All rights reserved.

This material is protected under all copyright laws as they currently exist. No portion of this material may be reproduced, in any form or by any means, without permission in writing by the publisher.

Exercises

- Enc.1 Starting with the logic diagram for the 74x148 priority encoder, write logic equations for its A2_L, A1_L, and A0_L outputs. How do they differ from the “generic” equations given in Section 6.5.1?

Supplementary material to accompany *Digital Design Principles and Practices*, Fourth Edition, by John F. Wakerly.
ISBN 0-13-186389-4. © 2006 Pearson Education, Inc., Upper Saddle River, NJ. All rights reserved.

This material is protected under all copyright laws as they currently exist. No portion of this material may be reproduced, in any form or by any means, without permission in writing by the publisher.